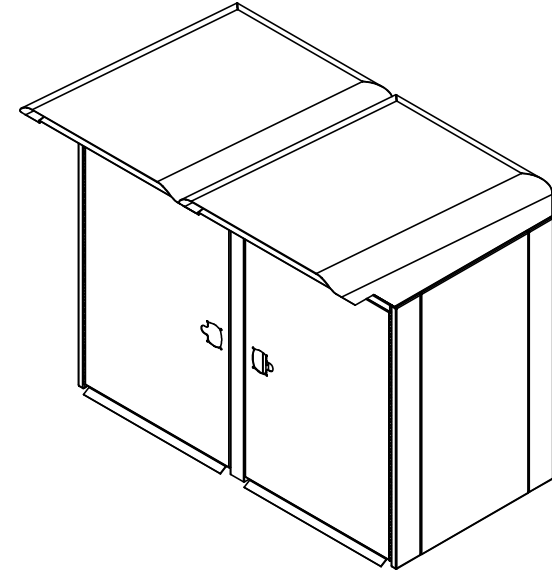
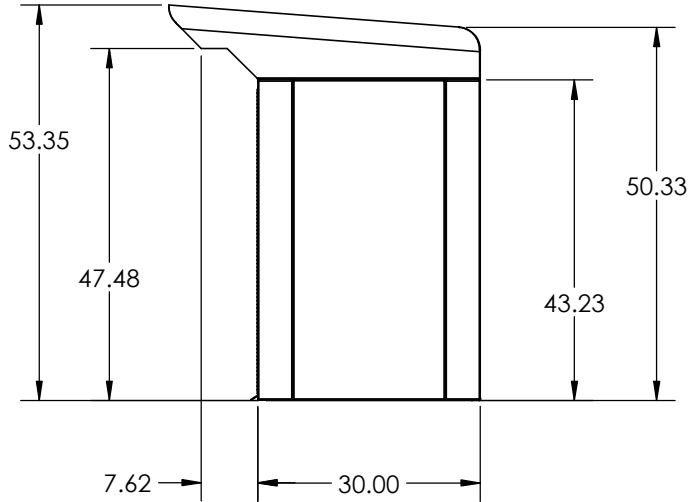
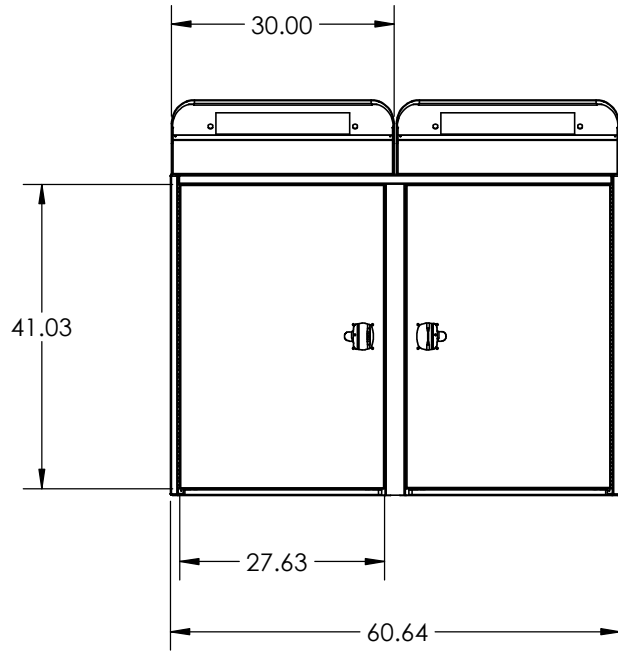


8 7 6 5 4 3 2 1

D

D

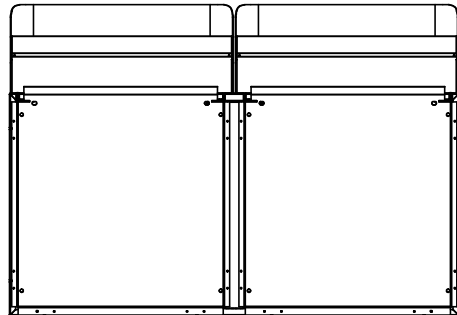


C

C

B


B



A

A

8 7 6 5 4 3 2 1

DO NOT SCALE DRAWING UNLESS OTHERWISE SPECIFIED:		MATERIAL SEE PARTS		 KINGSLEY COMPANIES TITLE: C-SERIES 70-P				
DIMENSIONS ARE IN INCHES TOLERANCES: ANGULAR: MACH ±0.25° BEND ±1° LINEAR: .X ±.06 .XX ±.03 .XXX ±.010		FINISH SEE NOTE						
REVISED	J BOLING	DATE	5/16/18	PRT. NO.	C-SERIES 70-P	REV	A	SHEET SIZE B
CHECKED				DWG. NO.	C-SERIES 70-P	REV	A	
INTERPRET GEOMETRIC TOLERANCING PER: ASME Y14.5M-1994				SCALE: 1:20		SHEET 1 OF 2		
PROPRIETARY AND CONFIDENTIAL THE INFORMATION CONTAINED IN THIS DRAWING IS THE SOLE PROPERTY OF KINGSLEY COMPANIES. ANY REPRODUCTION IN PART OR AS A WHOLE WITHOUT THE WRITTEN PERMISSION OF KINGSLEY COMPANIES IS PROHIBITED.								

8

7

6

5

4

3

2

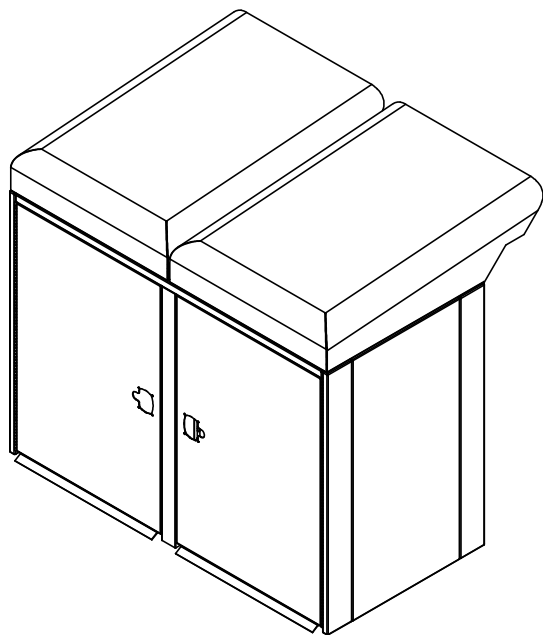
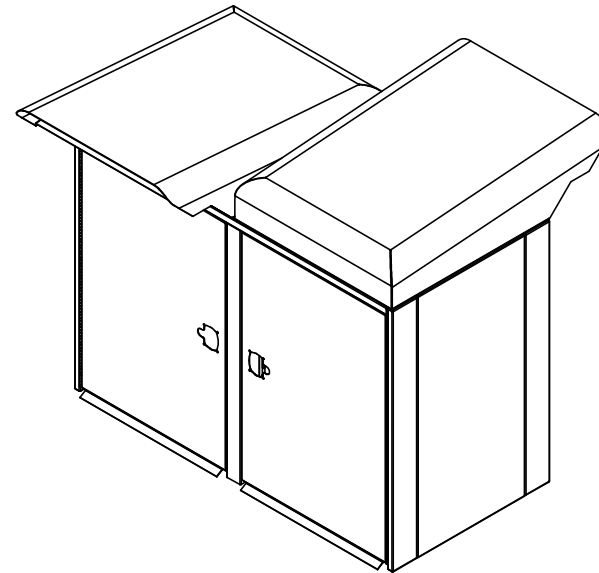
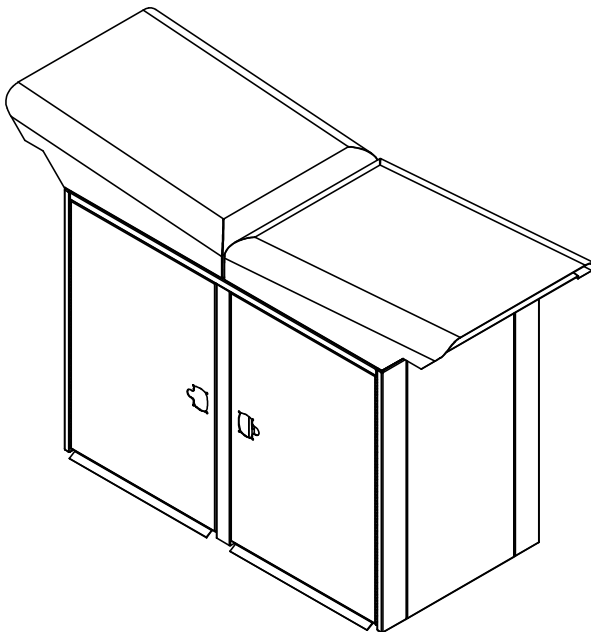
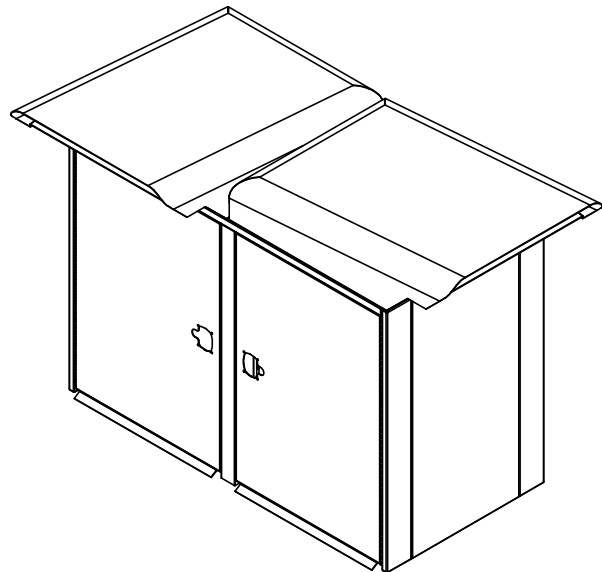
1

D

C

B

A



CONFIGURATION OPTIONS.

D

C

B

A

8

7

6


5

4

3

2

1

DO NOT SCALE DRAWING UNLESS OTHERWISE SPECIFIED:		MATERIAL SEE PARTS		 KINGSLEY COMPANIES TITLE: C-SERIES 70-P				
DIMENSIONS ARE IN INCHES TOLERANCES: ANGULAR: MACH ±0.25° BEND ±1° LINEAR: .X ±.06 .XX ±.03 .XXX ±.010		FINISH SEE NOTE						
REVISED	J BOLING	DATE	5/16/18	PRT. NO.	C-SERIES 70-P	REV	A	SHEET SIZE B
CHECKED				DWG. NO.	C-SERIES 70-P	REV	A	
INTERPRET GEOMETRIC TOLERANCING PER: ASME Y14.5M-1994				SCALE: 1:20		SHEET 2 OF 2		
PROPRIETARY AND CONFIDENTIAL THE INFORMATION CONTAINED IN THIS DRAWING IS THE SOLE PROPERTY OF KINGSLEY COMPANIES. ANY REPRODUCTION IN PART OR AS A WHOLE WITHOUT THE WRITTEN PERMISSION OF KINGSLEY COMPANIES IS PROHIBITED.								