
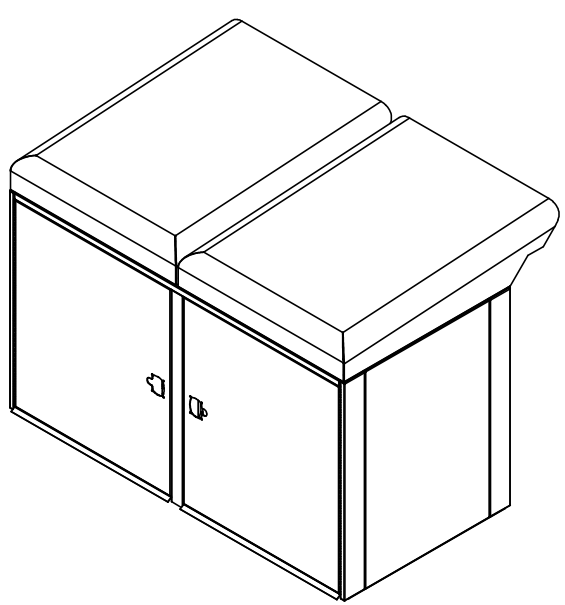
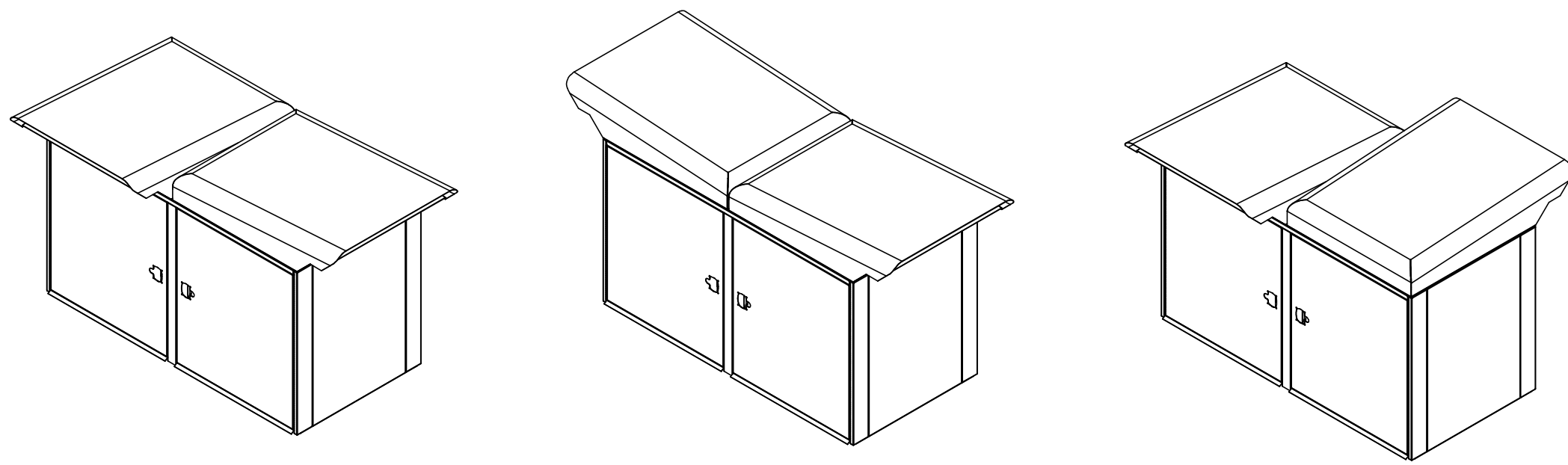


DO NOT SCALE DRAWING UNLESS OTHERWISE SPECIFIED:		MATERIAL <b>SEE PARTS</b>		 <b>KINGSLEY COMPANIES</b> TITLE: <b>C-SERIES 80-P</b>		
DIMENSIONS ARE IN INCHES TOLERANCES: ANGULAR: MACH ±0.25° BEND ±1° LINEAR: .X ±.06 .XX ±.03 .XXX ±.010		FINISH <b>SEE NOTE</b>				
INTERPRET GEOMETRIC TOLERANCING PER: ASME Y14.5M-1994	CHECKED	REVISOR J BOLING	DATE 5/16/18	PRT. NO. <b>C-SERIES 80-P</b>	REV <b>A</b>	SHEET SIZE <b>B</b>
<b>PROPRIETARY AND CONFIDENTIAL</b> THE INFORMATION CONTAINED IN THIS DRAWING IS THE SOLE PROPERTY OF KINGSLEY COMPANIES. ANY REPRODUCTION IN PART OR AS A WHOLE WITHOUT THE WRITTEN PERMISSION OF KINGSLEY COMPANIES IS PROHIBITED.				DWG. NO. <b>C-SERIES 80-P</b>	REV <b>A</b>	
				SCALE: 1:24		SHEET 1 OF 2


8 7 6 5 4 3 2 1

D  
C  
B  
A

D  
C  
B  
A



CONFIGURATION OPTIONS.

DO NOT SCALE DRAWING UNLESS OTHERWISE SPECIFIED:		MATERIAL <b>SEE PARTS</b>		 <b>KINGSLEY COMPANIES</b> TITLE: <b>C-SERIES 80-P</b>		
DIMENSIONS ARE IN INCHES TOLERANCES: ANGULAR: MACH ±0.25° BEND ±1° LINEAR: .X ±.06 .XX ±.03 .XXX ±.010		FINISH <b>SEE NOTE</b>				
INTERPRET GEOMETRIC TOLERANCING PER: ASME Y14.5M-1994		REVISED	J BOLING	DATE	5/16/18	
<b>PROPRIETARY AND CONFIDENTIAL</b> THE INFORMATION CONTAINED IN THIS DRAWING IS THE SOLE PROPERTY OF KINGSLEY COMPANIES. ANY REPRODUCTION IN PART OR AS A WHOLE WITHOUT THE WRITTEN PERMISSION OF KINGSLEY COMPANIES IS PROHIBITED.		CHECKED				
		PRT. NO.	C-SERIES 80-P		REV	A
		DWG. NO.	C-SERIES 80-P		REV	A
		SCALE: 1:24		SHEET 2 OF 2		
				SHEET SIZE <b>B</b>		

8 7 6 5 4 3 2 1