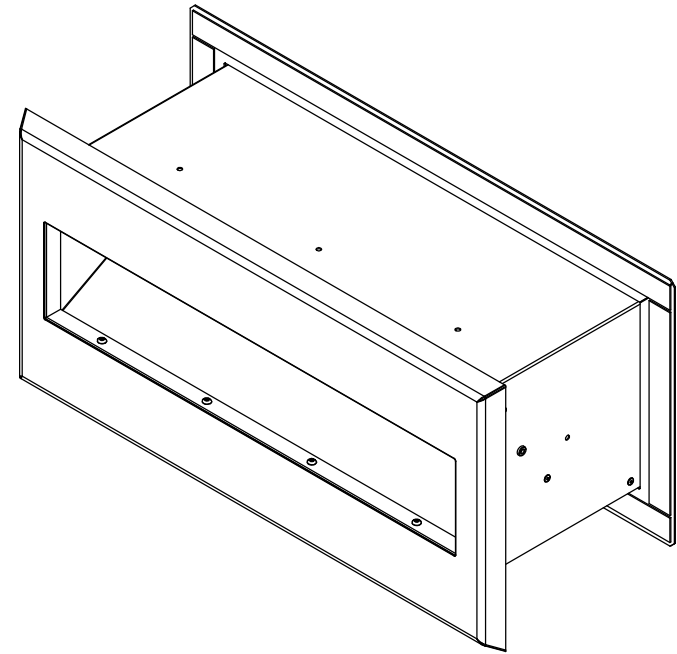



SECTION A-A



DO NOT SCALE DRAWING UNLESS OTHERWISE SPECIFIED:		MATERIAL SEE PARTS		 KINGSLEY COMPANIES TITLE: HALLPASS INTERIOR THRUWALL							
DIMENSIONS ARE IN INCHES TOLERANCES: ANGULAR: MACH ±0.25° BEND ±1° LINEAR: .X ±.06 .XX ±.03 .XXX ±.010		FINISH SEE PARTS									
INTERPRET GEOMETRIC TOLERANCING PER: ASME Y14.5M-1994	<table border="1"> <thead> <tr> <th>REVISED</th> <th>NAME</th> <th>DATE</th> </tr> </thead> <tbody> <tr> <td>J BOLING</td> <td></td> <td>2/28/18</td> </tr> </tbody> </table>		REVISED	NAME	DATE	J BOLING		2/28/18	PRT. NO. 43-8105-P	REV B	SHEET SIZE B
REVISED	NAME	DATE									
J BOLING		2/28/18									
<p align="center">PROPRIETARY AND CONFIDENTIAL</p> <p><small>THE INFORMATION CONTAINED IN THIS DRAWING IS THE SOLE PROPERTY OF KINGSLEY COMPANIES. ANY REPRODUCTION IN PART OR AS A WHOLE WITHOUT THE WRITTEN PERMISSION OF KINGSLEY COMPANIES IS PROHIBITED.</small></p>			DWG. NO. 43-8105-P	REV B							
SCALE: 1:5				SHEET 1 OF 1							