

Kingsley KwikDrop Installation #10-8951

Tools Needed:

- A. Drill with 1/4" bit
- B. Screwdriver (Phillips and Flat)
- C. Weatherproof Caulking
- D. 41" of 3"x 3/4" Wood for the framing
- E. 3/8 Open End Wrench
- F. Needle Nosed Pliers

Hardware Provided:

- A. 11- #8 x 3/4 Screws
- B. 4- 1-1/2" "Tamper Pruf" screws
- C. 2- 4 way cable mounts
- D. 2- cable ties

Step 1: Complete the wall cutout according to Figure. 1 below.

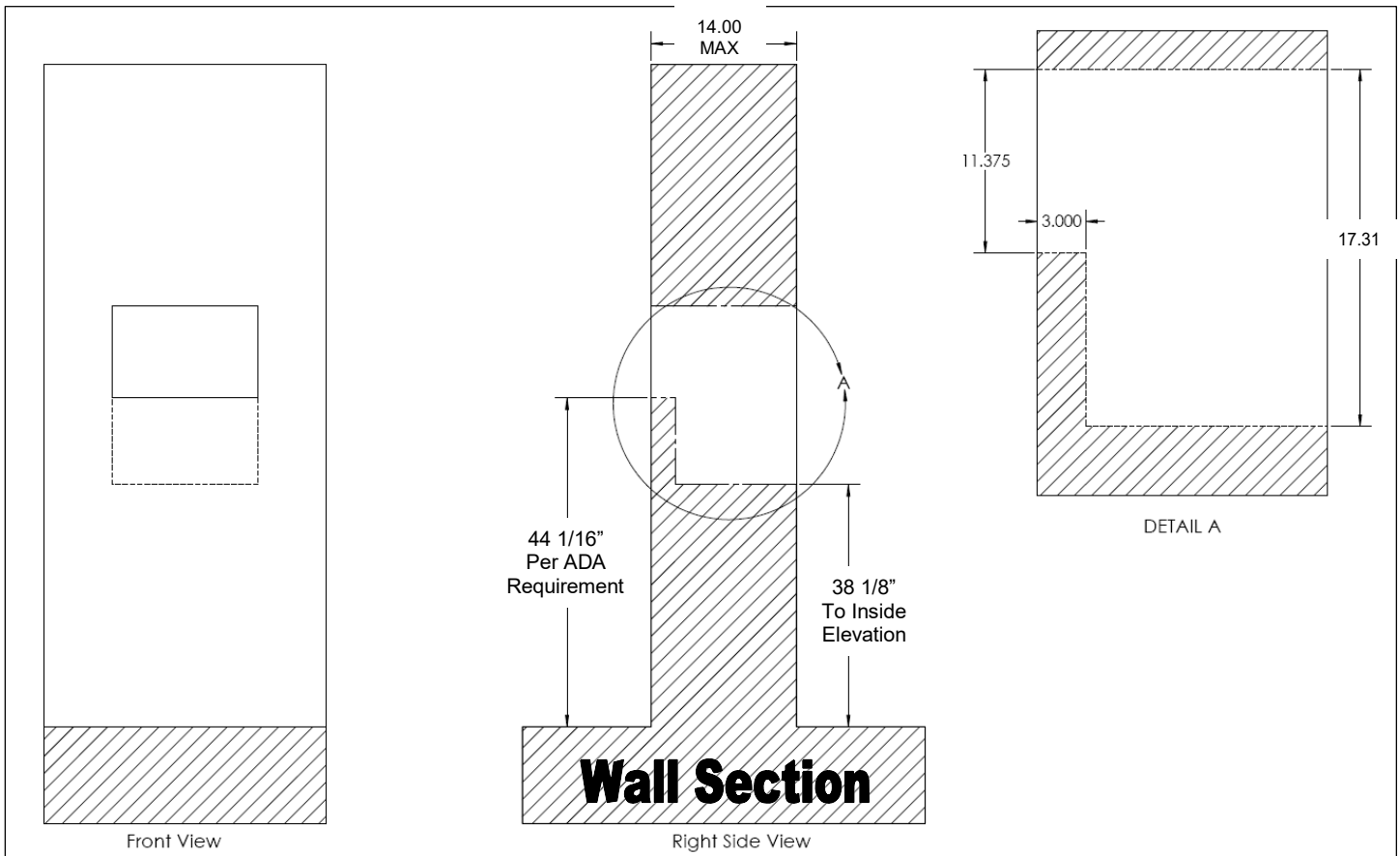


Figure 1. Internal Wall Cutout

Step 2: Once the Wall Cutout has been completed as shown in Figure. 1, make the wall framing as shown in Figure 2.

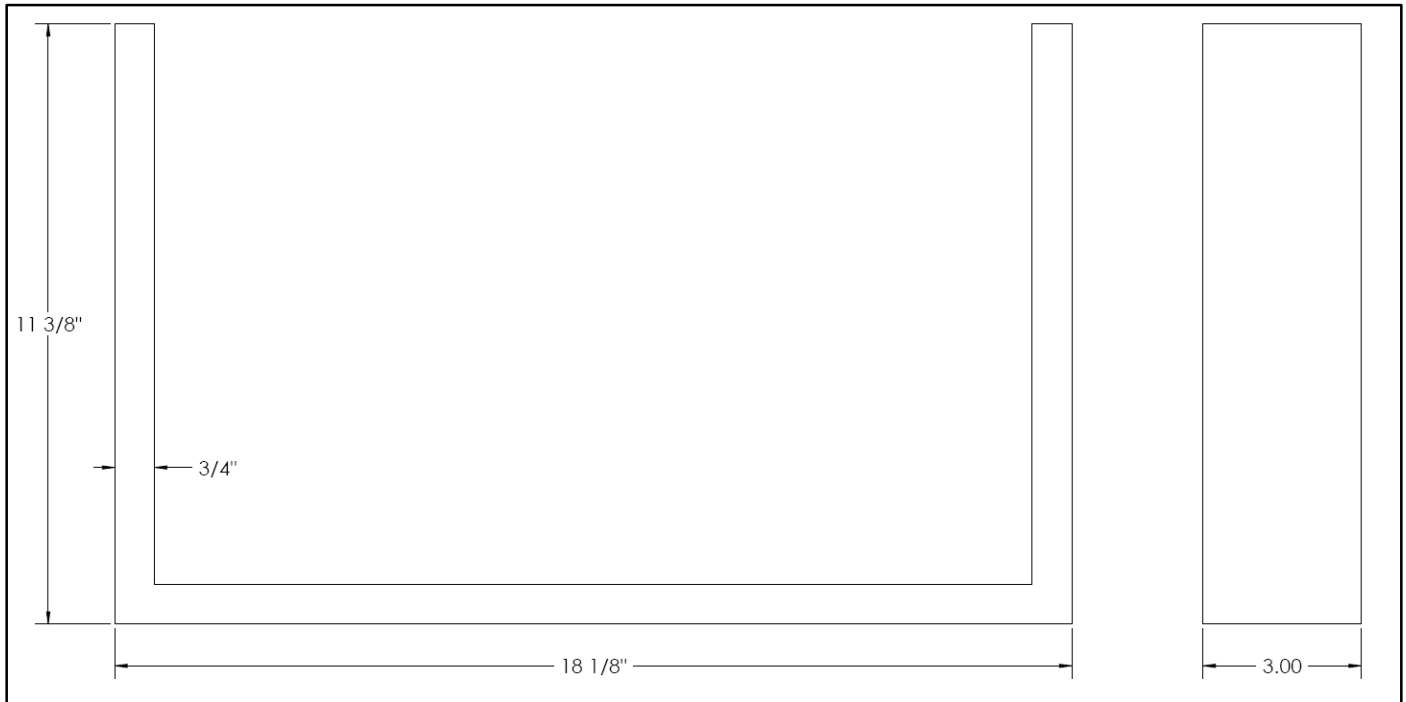


Figure 2. Internal Framing constructed of 3/4" wood

Step 3: When the framing is complete, slide it into the wall cutout as shown in Figure 3.

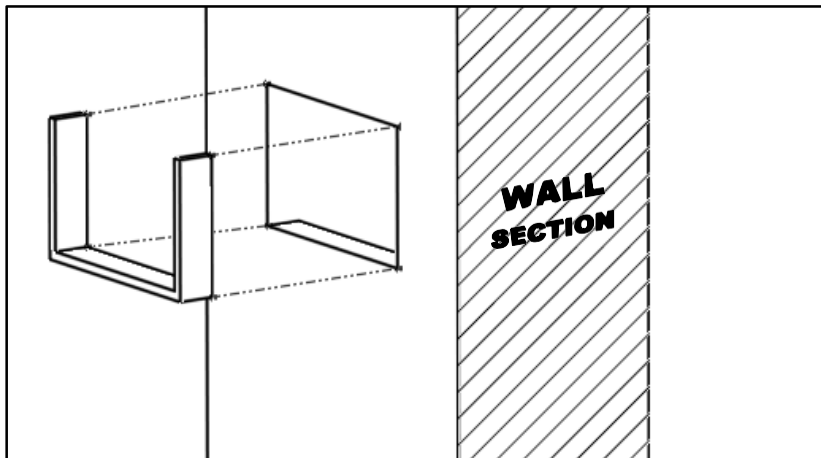


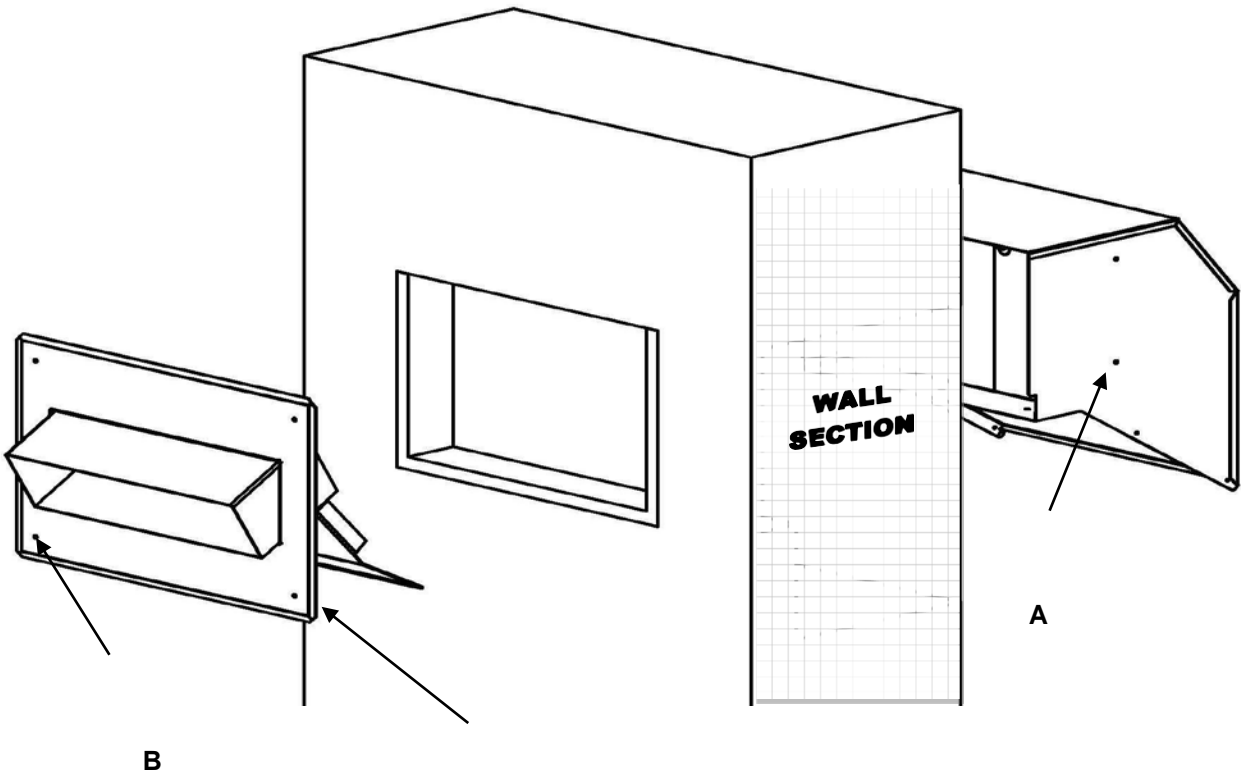
Figure 3. Insert the wooden framing into the wall cutout

Step 4: Installation should follow as shown in Figure 4.

- The screws (item A in Figure 4) can be screw in from inside unit to support the rear chute assembly.
- The letters in figure 4 Correspond to the supplied hardware list below.
- Caulk the entire area behind the faceplate as shown in Figure 4 to ensure proper weather sealing.
- The faceplate mounting screws (item B in Figure 4) are used to support the chute assembly, make sure these screws are installed into the framing.
- DWG Architectural drawings are available on the Kingsley website, www.Kingsley.com

Hardware Provided:

- A.** 11- #8 x 3/4 Screws
- B.** 4- 1-1/2" "Tamper Proof" screws



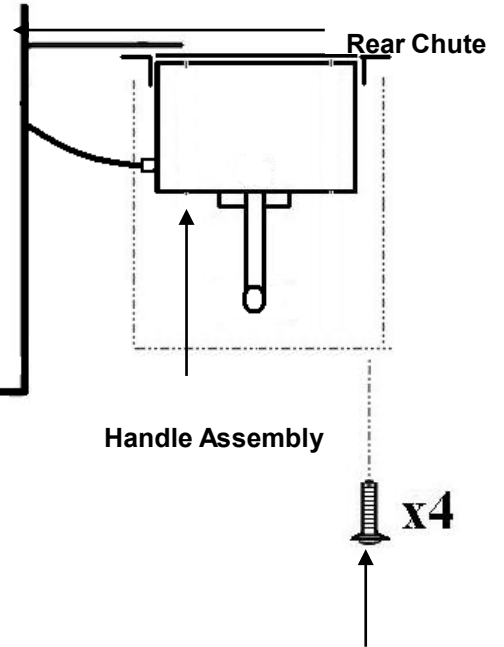
Caulk the entire outer perimeter behind the faceplate to ensure proper weatherproofing.

Figure 4. Faceplate Exploded View

Chute Top

Hardware Provided:

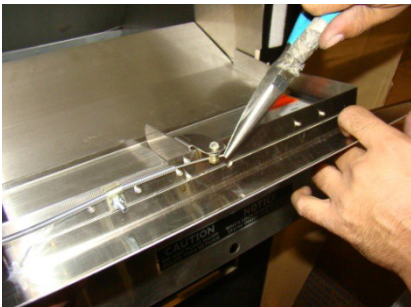
- 11- #8 x 3/4 Screws
- 4- Flush Mount Screws
- 2- 4 way cable mounts
- 2- cable ties



After chute is attached to the wall; route the locking cable through the drilled 1/4" hole on the side of the chute. Once the cable has been routed; use the provided four way cable mounts with cable ties to secure the locking cable as shown in image.



At the opposing end attach the locking cable to the locking cam on the interior of the faceplate using the 3/8" wrench, 3/8" ratchet, and needle nose pliers. As shown in image.



Using the needle nose pliers bend the tip of the locking cable around the fastener. As shown in image.

NOTES:

- Figure 6 below shows the correct heights once the installation is complete.
- The interior wall trim is left up to the architect.

FOR ADA REQUIREMENTS, BOTTOM PORTION OF BOOK DROP OPENING/CHUTE TO BE NO LESS THAN 42" AND NO MORE THAN 48" OFF FINISHED FLOOR

