

## **FREE-STANDING INSTALLATION INSTRUCTIONS**

**PLEASE READ THE DIRECTIONS BEFORE ATTEMPTING INSTALLATION**

### **REQUIRED TOOLS**

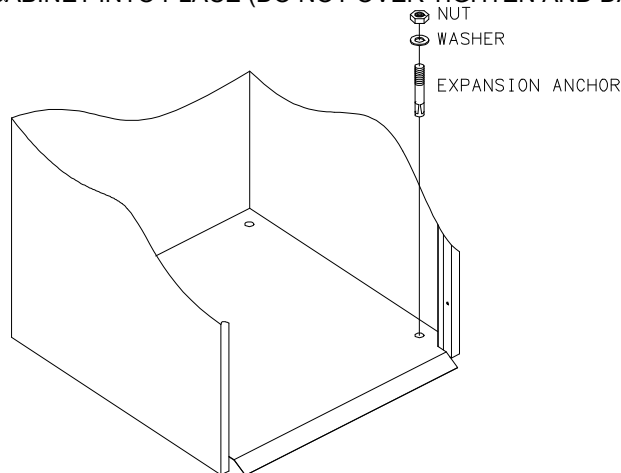
- 3/8" MASONRY DRILL BIT
- HAMMER
- WRENCH: 7/16" USE ON BASE
- WRENCH: 9/16" USE ON HOOD
- RATCHET: WITH 7/16" DEEP SOCKET
- MARKER OR PENCIL (FOR MARKING HOLE LOCATION)

**IF THE RETURN IS BEING MOUNTED ON A SIDEWALK OR ISLAND OF SOME TYPE, MAKE SURE TO ALIGN THE FRONT EDGE OF THE RETURN HOOD WITH THE EDGE OF THE CURB. THIS WILL ENSURE THAT THE CABINET AND HOOD ARE NOT HANGING OVER INTO THE PATHWAY OF UPCOMING VEHICLES.**

**Installation will require 2 (two) people.**

**\*IF SURFACE AREA IS NOT LEVELED, CABINET WILL NOT ALIGN OR OPERATE PROPERLY. SHIMMING MIGHT BE REQUIRED IF THE SURFACE AREA IS NOT LEVEL.**

- PLACE CABINET IN DESIRED LOCATION ON LEVEL CONCRETE OR CONCRETE PAD.
- USING CABINET HOLES FOR ALIGNMENT,
- DRILL 4 (6 holes for model # 00-9970) HOLES INTO CONCRETE WITH 3/8 BIT.
- PLACE EXPANSION ANCHOR INTO HOLES.
- SET EXPANSION ANCHOR USING A HAMMER, LEAVING AT LEAST 1-1/2 INCHES EXPOSED THROUGH THE CABINET HOLES.
- PLACE WASHER AND NUT ONTO EXPANSION ANCHOR.
- TIGHTEN NUT TO FIX CABINET INTO PLACE (DO NOT OVER TIGHTEN AND DAMAGE CABINET).



To retain and enhance the finish of your Depository we recommend frequent inspections checking for scratches or nicks that might compromise the finish of your depository. Cleaning of the exterior of the Depository with a mild detergent and an automotive grade wax be applied twice a year will help extend the life of your depository. TO ensure trouble free operation of the mechanical parts of your depository we suggest that all hinges and moving lock parts are lubricated quarterly using WD40 or a silicone type of lubricant.

## HOOD INSTALLATION/ROTATING INSTRUCTIONS

### To Install Hood

- **Carefully** place the hood on the cabinet to desired location (do not slide, damage or scratch the finish).
- Attach the hood from inside cabinet by inserting bolts (supplied) through cabinet and into top.
- Tighten **ALL** bolts after aligning top (do not over tighten).

**Note: Generic cabinet and top shown. Your cabinet will differ slightly. Installation will require 2 (two) people.**

### To Rotate Hood

- Remove the bolts which secure the hood to the cabinet (the quantity of bolts will vary depending on cabinet size).
- **Carefully** lift the hood and rotate to desired location (do not slide, damage or scratch the top, this could compromise the finish).
- Refer to the above "To Install Hood" instructions to fasten the hood to the cab.

